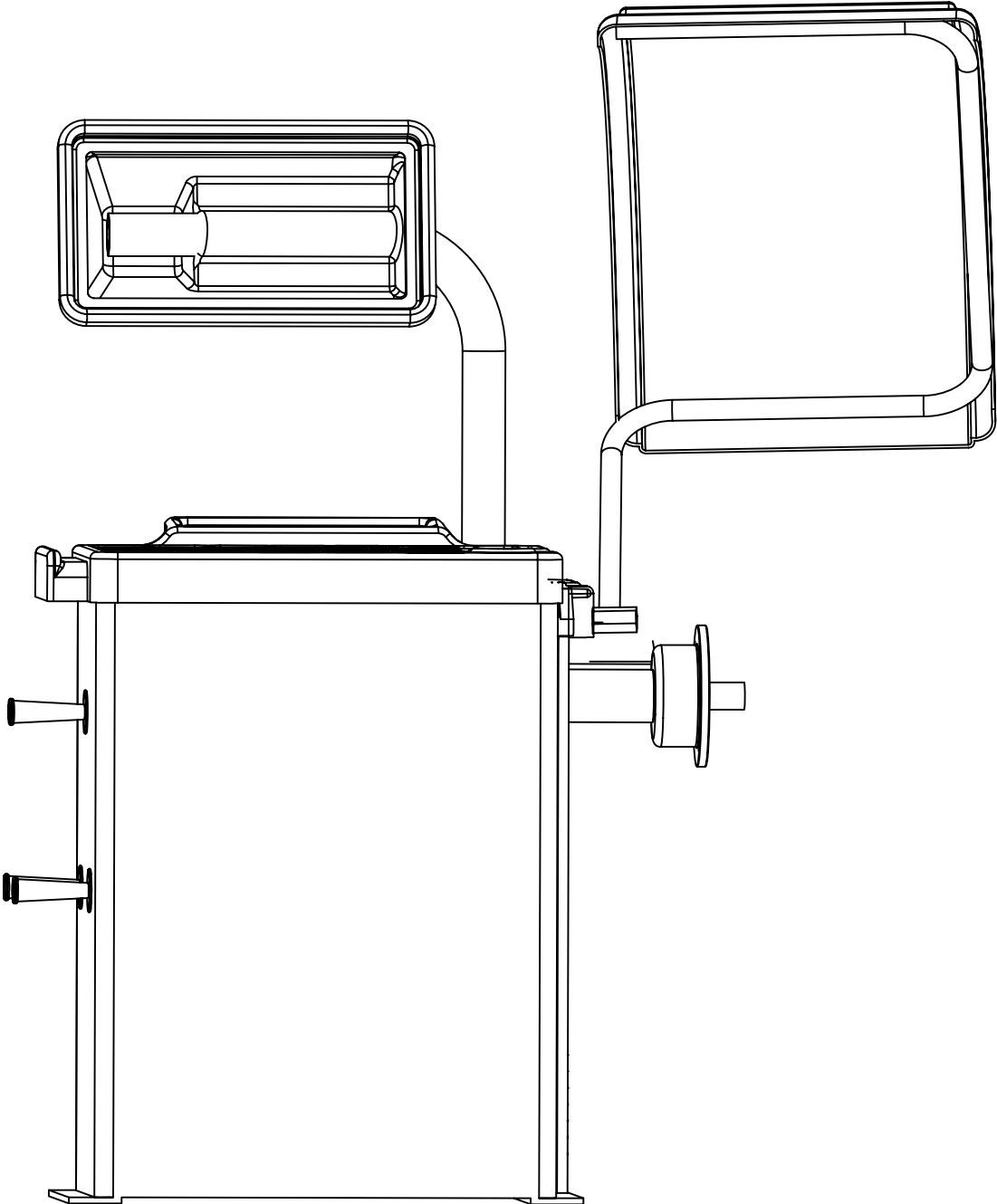
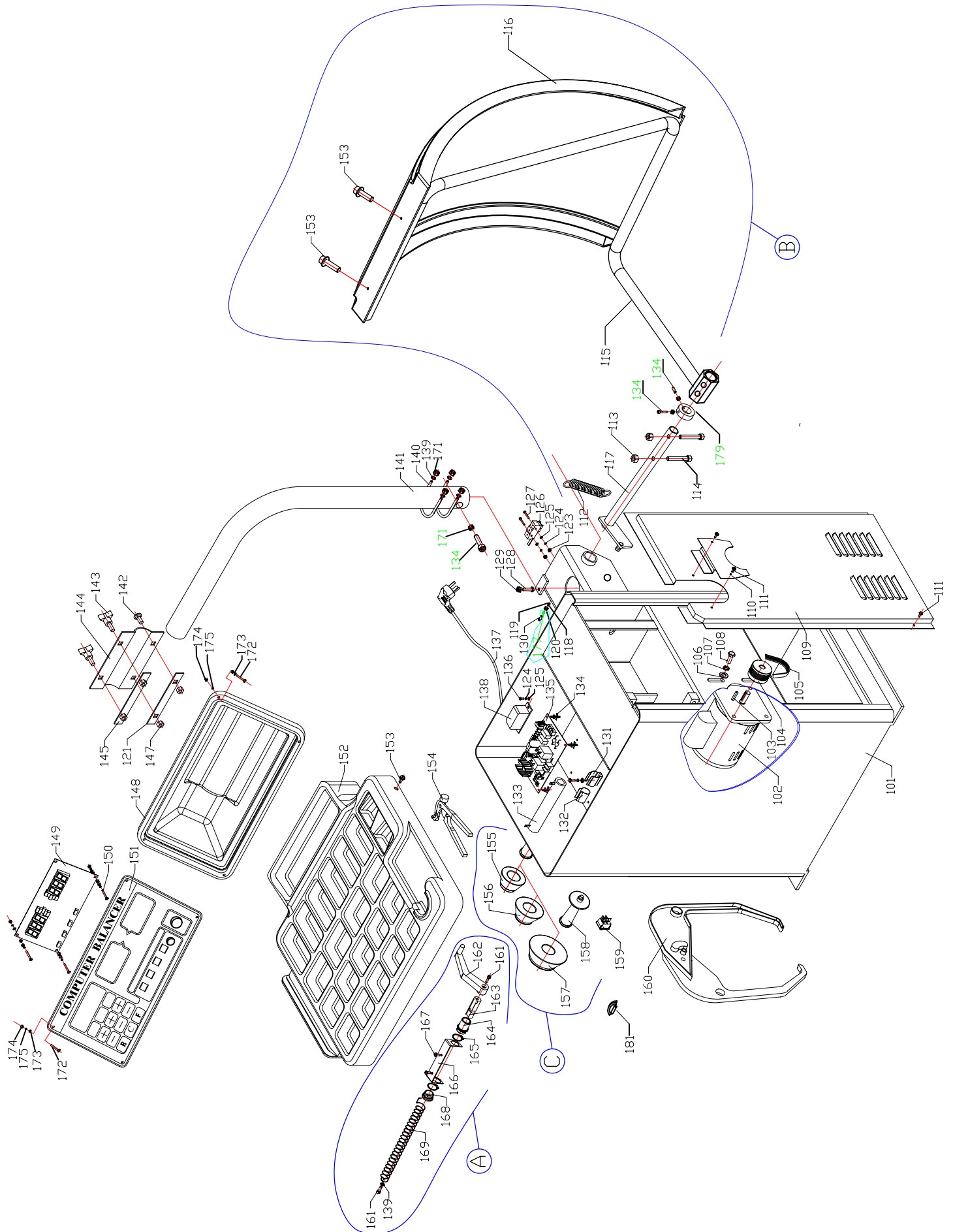


CB 1950 B Decomponent Drawing



CB 1950 B Spare Parts Drawing



CB 1950 B Spare Parts List

No	Drawing No	Description	Specification	Q'ty	Order No.	Modification No.
101	CB950.01.00	Body		1		
102		Motor		1		
103		Flat Disk	C5X5X20	1		
104		Motor Belt Pulley		1		
105		Wedge		1		
106		Non-standard Washer	10	4		
107		Elastic Washer	10	4		
108		Out Bolt-hex	M10X25	4		
109		Side Panel		1		
110		Front Retaining Plate		1		
111		Self-dapting Screw	M5. 5X19	8		
112	B-F. 02. 06B	Connect Spring		1		
113		Nut-lock	M10	2		
114		Internal Bolt-hex	M10X50	2		
115	B-F. 02. 00A	<small>Protection Hood Connect Bracket Weld Drawing</small>		1		
116		Crescent Cover		1		
117	B-F. 02. 05. 00A	Support Hose Weld		1		
118		Flat Washer	ø8	1		
119		Elastic Washer	ø8	1		
120		Nut-hex	M8	1		
121		Non Nut Press Plate		1		
122		Self-dapting Screw	M5. 5X19	6		
123		Nut-hex	M4	2		
124		Elastic Washer	4	4		
125		Flat Washer	4	4		
126		Main Switch		1		
127		Cross Oblated Screw	M4X30	2		
128		Out Bolt-hex	M8X50	1		
129		Nut-hex	M8	1		
130		Internal Bolt-hex	M6X20	2		
131		Resistance Clamp		1		
132		Insulating Paper		1		
133		Resistance		1		
134		Out Bolt-hex	M6X20	1		
135		Power Board		1		
136		Oblated Screw	M4X10	3		
137		Power Cable		1		
138		Transformer		1		
139		Flat Washer	6	4		
140		U Clip		2		
141		Control Table Bracket		1		
142		Circle Square Screw		2		
143		Star Screw		2		
144		Control Table Press Plate		1		
145		Nut Press Plate		1		
146		Elastic Washer	6	1		
147		Embroidered Nut	M10	2		
148		Control Table Cover		1		
149		Computer Board		1		
150		Screw	M3X25	4		
151		Panel		1		
152		Lead Weight Cover		1		
153		Self-dapting Screw	M5. 5X25	4		
154		Balance Hammer		1		
155A	B-P. 01. 03	Small Cone		1		
156A	B-P. 01. 04	Middle Cone		1		
157A	B-P. 01. 05	Large Cone		1		
158		Handle		2		
159		Switch		1		
160		Caliper		1		
161		Internal Bolt-hex	M6X16	1		
162		Scale Handle		1		
163	B-L. 01. 02	Scale Rod		1		
164	B-L. 01. 05	Scale Front Slide Cover		1		

CB 1950 B Decomponent Drawing

